



FOGLIA SEAT & COVER

KC2703.01.0000E

KC2703.01.0000E

Foglia Duroplast
Soft Closing White Seat&Cover

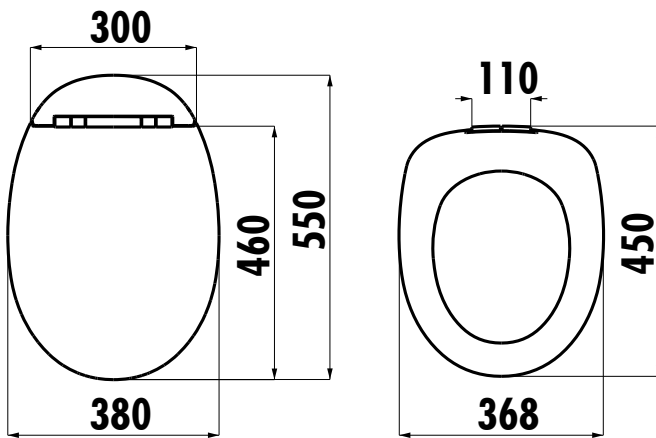
Qty of Box:

Seat&Cover 5

Weight:

Seat&Cover 3,2 kg

TECHNICAL DRAWING



SPECIFICATIONS



Creavit keeps its rights of making any change to the products.



Quality Management Systems



Customer Satisfaction Certificate



Environmental Management System



Occupational Safety & Health Management System

LGA

Germany Accreditation Certificate

kiwa

Netherlands Accreditation Certificate

GOST - R

Russia Accreditation Certificate

UkrSEPRO

Ukraine Accreditation Certificate



Israel Accreditation Certificate



Nigeria Accreditation Certificate



European Accreditation Certificate



Turkish Accreditation Certificate